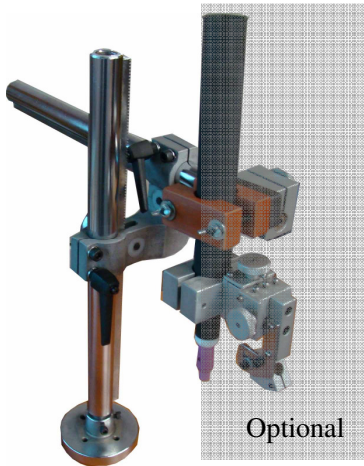


Manual Slide



FSR Manual cross slide with stroke 300mm x 300mm, able to mounted with TIG or MIG and gas cutting torch as a torch stand.