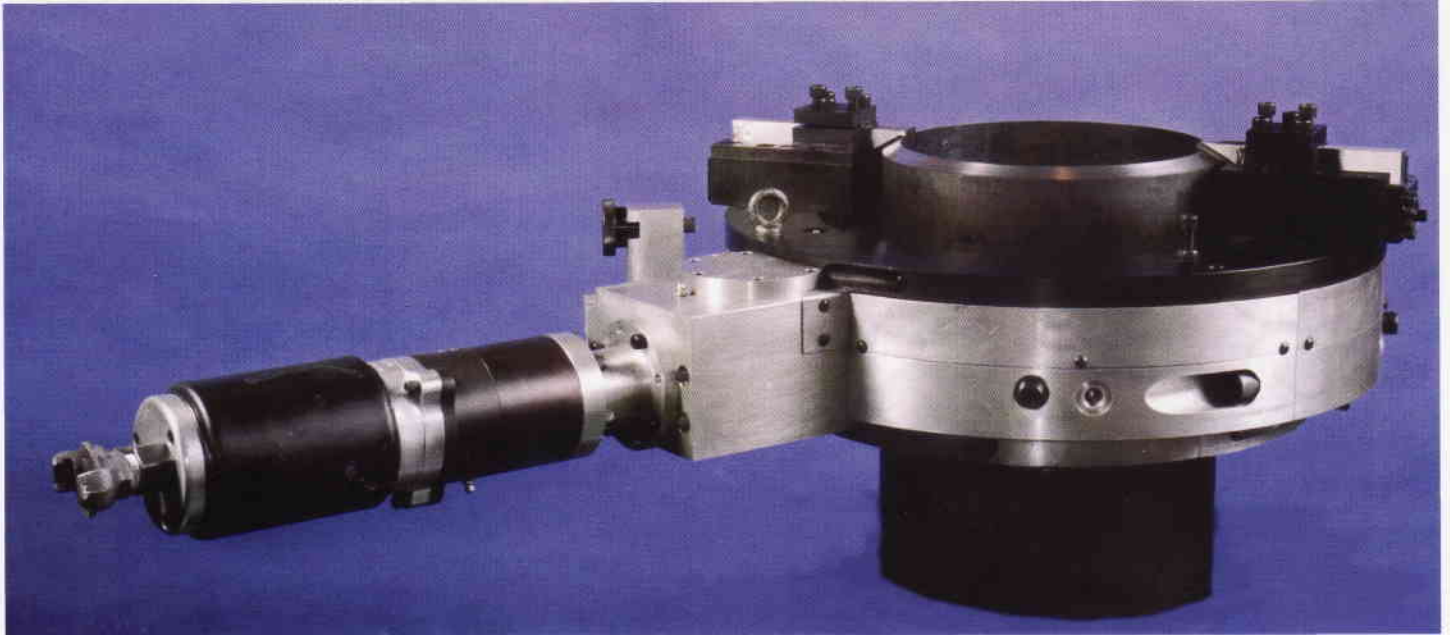


**Roberts Division**



# **LC CLYDE**

## **CASING & CONDUCTOR CUTTING**

**7.000" - 36.000" External Diameter**

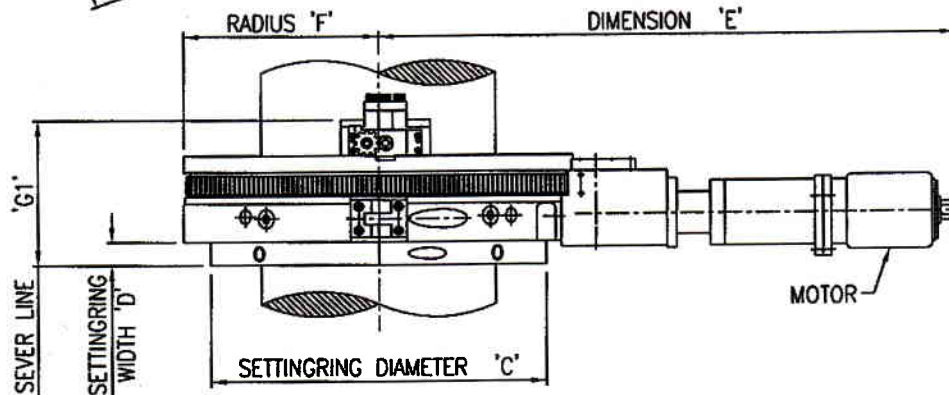
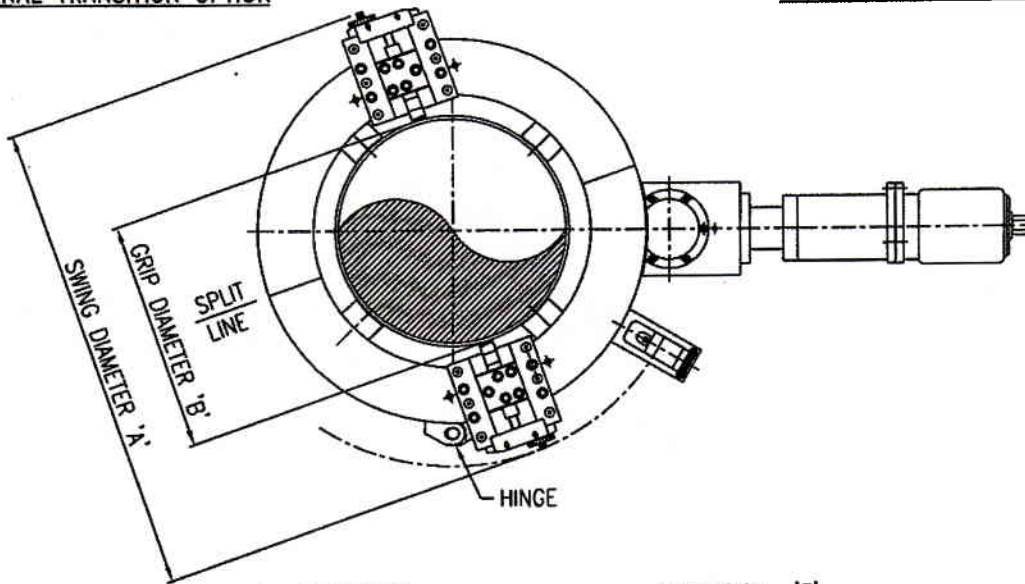
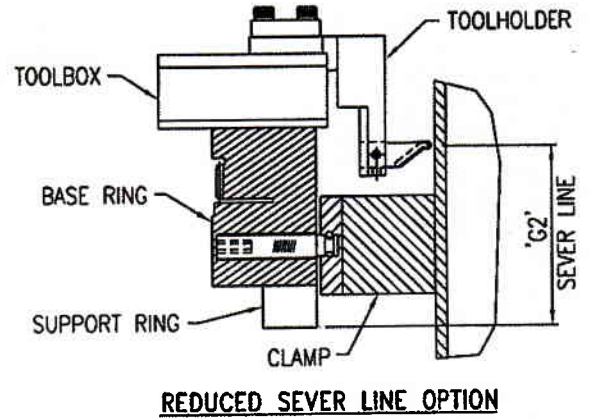
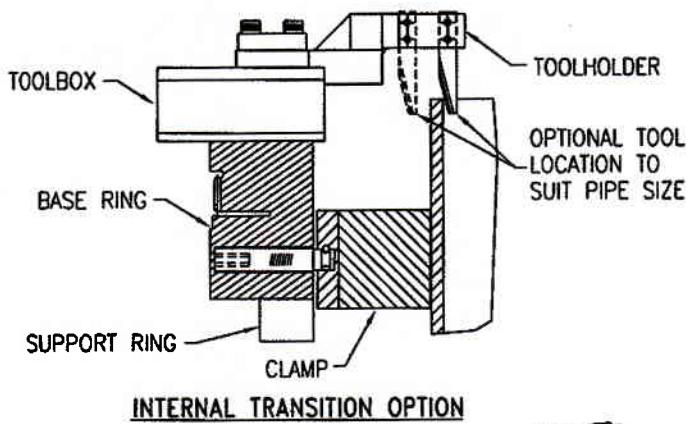
Robust construction to meet prevailing offshore and desert conditions. Safe, accurate, adaptable, with capacity for quick turnaround. Operator and environmentally friendly.

Roberts Division (A Division of MB Aerospace)  
PO Box 4, Logans Road  
Motherwell  
ML1 3NP  
Scotland  
United Kingdom

For Sales Contact Mr Norman Roberts  
01698 242 400 Switchboard  
01698 242 404 Direct  
01698 242 403 Facsimile  
07768 427 440 Mobile  
E-Mail [nroberts@mbaerospace.com](mailto:nroberts@mbaerospace.com)

# CASING & CONDUCTOR CUTTING

A PORTABLE PIPE CUTTING MACHINE  
DESIGNED FOR CUTTING CASING AND CONDUCTOR IN-SITU

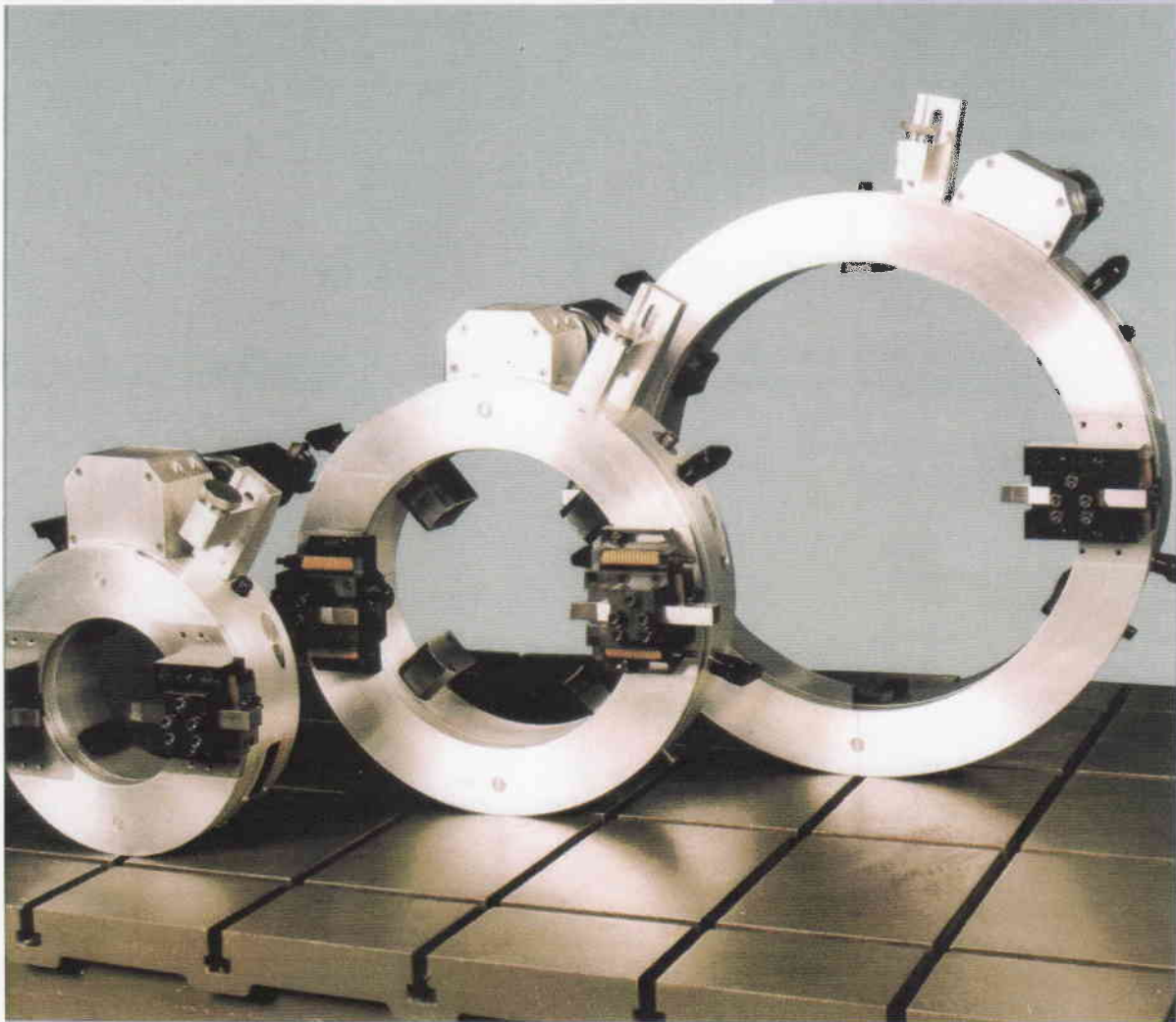


PIPE RANGE	MODEL No.	DIM 'A'		DIM 'B'		DIM 'C'	DIM 'D'	DIM 'E'	DIM 'F'	DIM 'G1'	DIM 'G2'	Wt. (Kg)
		MAX	MIN	MAX	MIN							
7" to 14"	LC 7-14	26.75"	21.00"	7.00"	14.00"	17.88"	1.25"	30.75"	10.37"	8.00"	5.18"	52
16" to 22"	LC 16-22	34.72"	29.00"	16.00"	22.00"	25.88"	1.25"	34.75"	14.37"	8.00"	5.18"	80
24" to 30"	LC 24-30	42.72"	37.00"	24.00"	30.00"	33.88"	1.25"	38.83"	18.37"	8.00"	5.18"	102
30" to 36"	LC 30-36	46.72"	43.00"	30.00"	36.00"	39.88"	1.25"	41.75"	21.37"	8.00"	5.18"	132

# CLYDE

LOW CLEARANCE  
SPLIT FRAME

PORTABLE PIPE CUTTING  
AND WELD PREPARATION MACHINE  
FOR CUTTING PIPE IN SITU  
OR IN THE WORKSHOP



MODELS LC 2-6, LC 6-12, LC 14-20

## MB Roberts Products

(A Division of MB Aerospace)

P.O. Box 4  
Logans Road  
Motherwell ML1 3NP  
Scotland

Telephone: 01698 242 404 Facsimile: 01698 242 428



mb  
mb aerospace limited



## INTRODUCTION

Roberts Products easy to operate lightweight, low clearance, o.d. mounted, split frame pipe cutting system capable of severing, bevelling and counterboring 2" to 30" pipe. Powered pneumatically or hydraulically. Minimal clearance required along with the stability and rigidity to cut heavy wall pipe.

## VERSATILITY

- Models available for 2" dia. to 30" o.d. pipe in any combination of sizes on 4"-6" increments.
- Interchangeability of accessories between sizes e.g. Drive motors, tool slides etc.
- One machine can cut and bevel simultaneously.
- Pipe materials: Carbon steel, stainless, duplex, ductile iron, kunifer.
- Wrap around clamps for thin wall pipe.
- Star wheel feed systems offers low clearance and simple to operate.

## QUALITY

- Hardened and ground tool slides
- Hydrostatic Plain Bearing.
- Drive gear and bearing surfaces are covered and shielded.

## TOOL SLIDE OPTIONS

- **Low Clearance Tool Slides** (1" travel) Feed Rate 0.0025/rev
- **Extended Tool Slides** (2" travel) Feed Rate 0.0025/rev
- **Counterboring Tool Slides**
- **Spring Loaded out-of roundness compensator tool slide**, which permits the cutting tool to follow the pipe ovality.
- **Taper Turning Tool Slides**
- **Custom Built Tool Slides** special applications
- **Depth controlled tool slides** grooving etc.

## DRIVE OPTIONS

- PNEUMATIC 1.5 HP. 90 p.s.i. - 48 cfm (3.5 HP available on request)
- Hydraulic 2.8 HP. 100 bar - 30 litres/min
- In-Line Drive Assy (Front)
- In-Line Drive Assy (Rear)

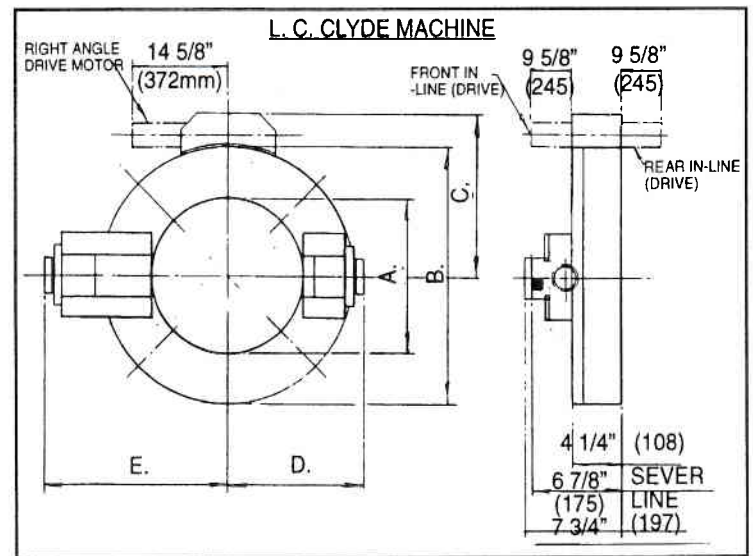
## ACCESSORIES

- Flange Facing Module
- Clamp Extension Legs
- Backing ring plates for special mounting applications

# CLYDE

## LOW CLEARANCE SPLIT FRAME

## DIMENSIONS



IMPERIAL	MACHINE CAPACITY	DRIVE RING ASSY WEIGHT	BORE DIAMETER	DIAMETER	DIMENSION	DIMENSION	DIMENSION
MODEL	ins.	lb.	A ins.	B ins.	C ins.	D ins.	E ins.
LC-2-6	2-6	80	7.375	13.375	9.958	8.000	9.537
LC-4-8	4-8	102	9.375	15.375	10.959	8.985	10.522
LC-6-12	6-12	146	13.500	19.500	13.041	10.988	12.539
LC-12-18	12-18	203	18.750	24.750	15.625	13.613	15.164
LC-18-24	18-24	268	24.750	30.750	18.625	16.593	18.148
LC-24-30	24-30	334	30.750	36.750	21.625	19.578	21.136

DETACHABLE MOTOR ASSY WT. = 19 lb  
STANDARD TOOLBOX WT. = 5.5 lb  
EXTENDED TOOLBOX WT. = 6.5 lb

METRIC	MACHINE CAPACITY	DRIVE RING ASSY WEIGHT	BORE DIAMETER	DIAMETER	DIMENSION	DIMENSION	DIMENSION
MODEL	mm	kg.	A mm	B mm	C mm	D mm	E mm
LC-2-6	51-152	36	187	340	253	203	242
LC-4-8	102-203	46	238	390	278	228	267
LC-6-12	152-305	66	343	495	331	279	319
LC-12-18	305-457	92	476	629	397	346	385
LC-18-24	457-610	122	629	781	473	421	461
LC-24-30	610-762	152	781	933	549	497	537

DETACHABLE MOTOR ASSY WT. = 9 kg  
STANDARD TOOLBOX WT. = 2.5 kg  
EXTENDED TOOLBOX WT. = 3 kg